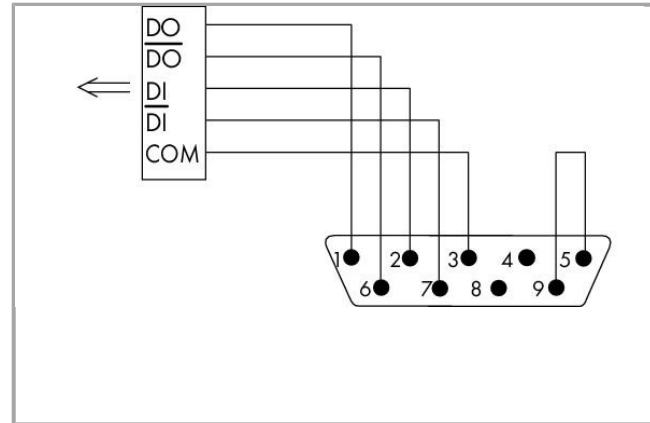
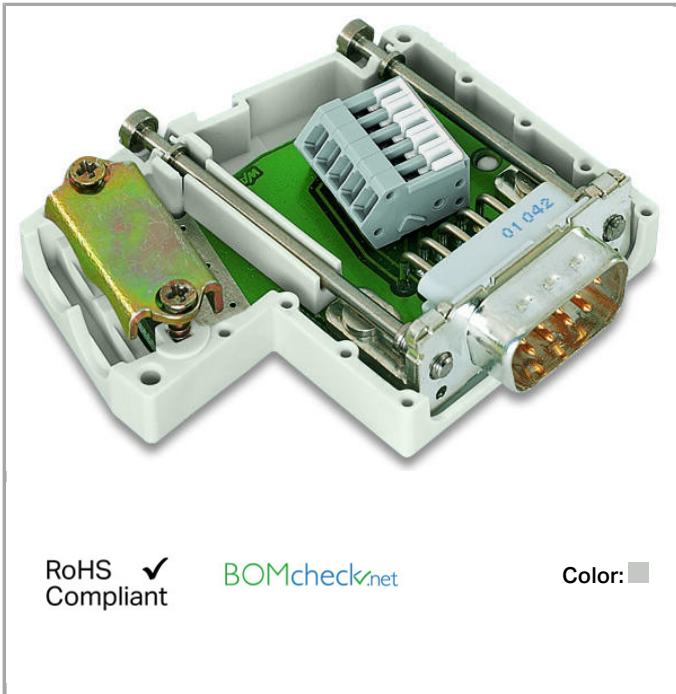


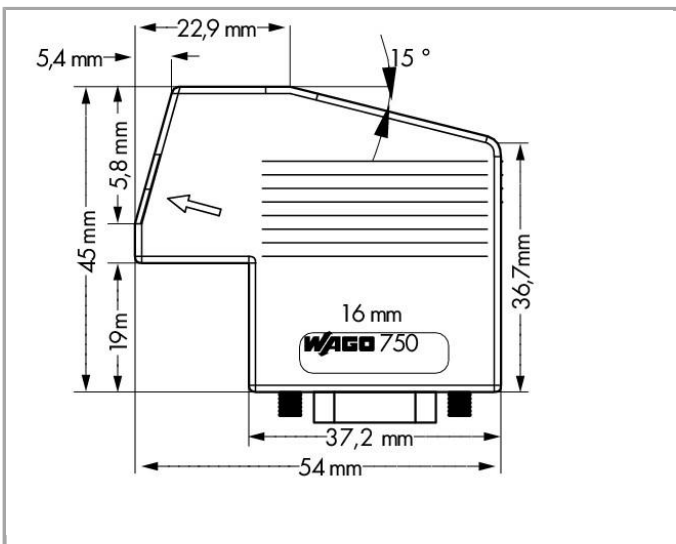
750-962



RoHS Compliant

[BOMcheck.net](https://www.bomcheck.net)

Color:



Item description

The fieldbus connector links an INTERBUS device to an INTERBUS line.

The fieldbus connector has the following features:

- Fast and maintenance-free CAGE CLAMP® connection, can be held in the open position with the help of an actuation slide mechanism.

**Data****Technical Data**

Connection type	Buchse D-Sub 9
No. of poles	9
Communication/Fieldbus	INTERBUS
Baud rate	2 MBd (entsprechend INTERBUS-Spezifikation)

Connection data

Connection type (1)	CAGE CLAMP®-Klemmleiste mit Betätigungsschieber (Serie 218)
Solid conductor	0.08 ... 0.5 mm ² / 28 ... 20 AWG
Strip length	5 ... 6 mm / 0.2 ... 0.24 inch

Geometrical Data

Width	45 mm / 1.772 inch
Height	16 mm / 0.63 inch
Depth	54 mm / 2.126 inch

Mechanical data

Connectable sheathed cable diameter	4.5 ... 9.5 mm
Housing material	PA66-105-V2
Weight	33.1 g
Color	light gray

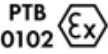

Environmental Requirements

Surrounding air (operating) temperature	0 ... 60 °C
Surrounding air (storage) temperature	-25 ... 85 °C
Protection class	IP20
Relative air humidity (no condensation)	95 %
Fire load	0MJ


Commercial data

Product Group	15 (Remote I/O)
Country of origin	DE
GTIN	4017332810715
Customs Tariff No.	85366990990

Approvals / Certificates**Ex-Approvals**

Logo	Approval	Additional Approval Text	Certificate name
	ATEX TUEV Nord Cert GmbH	EN 60079-0	TÜV 07 ATEX 554086 X en.
	TUEV Nord TUEV Nord Cert GmbH	IEC 60079-0	IECEX TUN 09.0001 X

UL-Approvals

Logo	Approval	Additional Approval Text	Certificate name
	UL UL International Netherlands B.V. (ORDINARY LOCATIONS)	UL 508	E175199 Sec.1

Downloads

Documentation

Bid Text

750-962 IO, Feldbusstecker	Oct 2, 2014	doc 25.1 kB	Download
-------------------------------	-------------	----------------	----------

Additional Information

Disposal; Electrical and electronic equipment, Packaging	V 1.0.0	pdf 265.8 kB	Download
----------------------------------------------------------	---------	-----------------	----------

System Description

Overview on WAGO-I/O-SYSTEM 750 approvals		pdf 780.2 kB	Download
-------------------------------------------	--	-----------------	----------

Subject to changes.